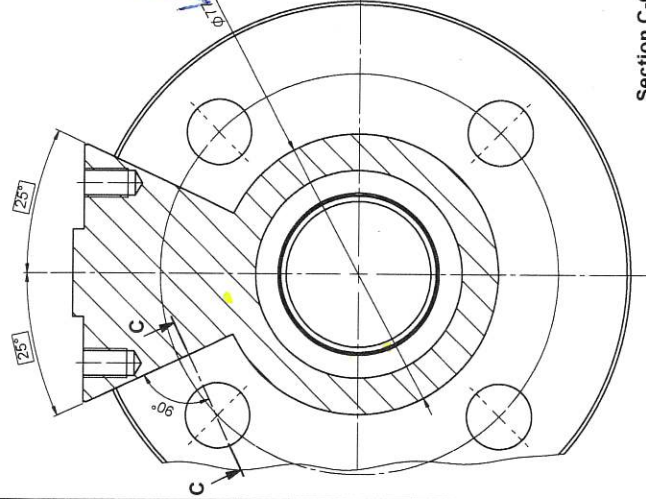
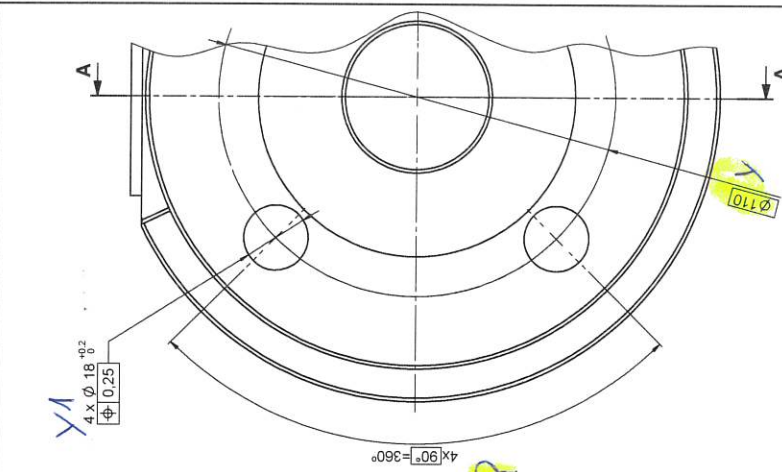
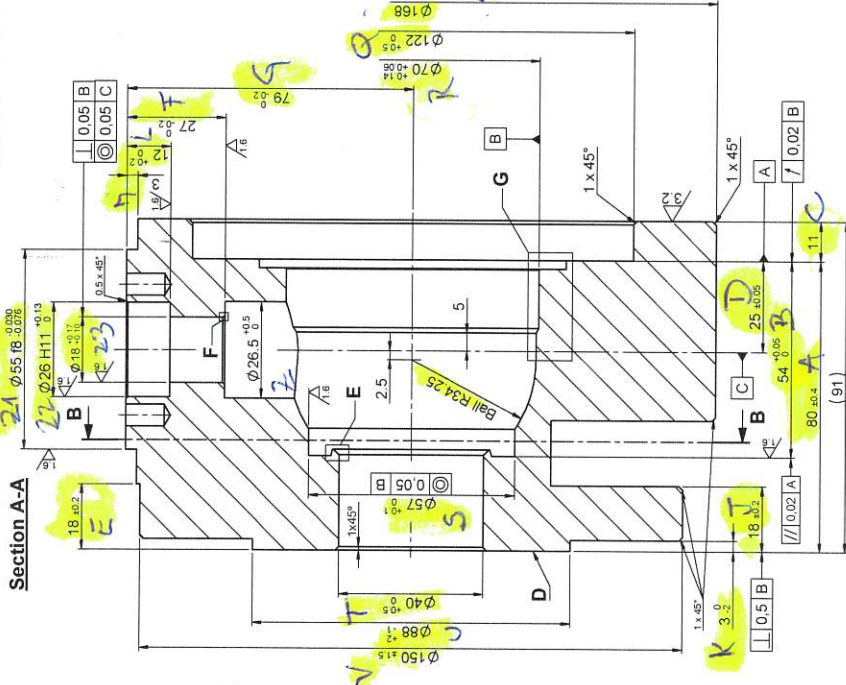


Section B-B

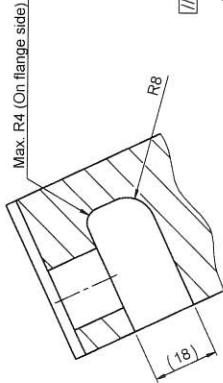


Section A-A



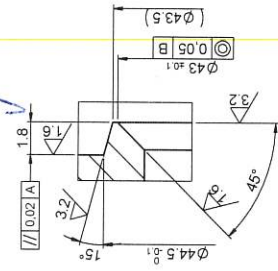
6 x $\phi 8.5 \nabla 14$
M10 $\nabla 14$
 $\phi 0.25$

Section C-C

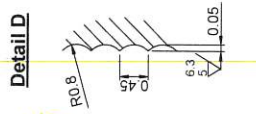


Max. R4 (On flange side)

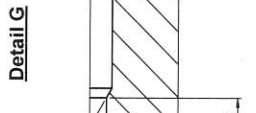
Detail E



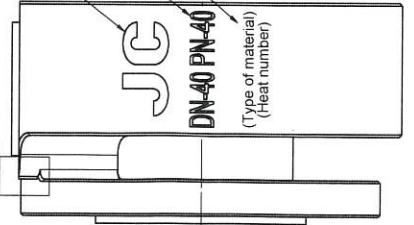
Detail D



Detail G



Marking



Sharp edges to be removed specifically on this area

See drawing n° ANA-JC for H=20
Letter's height: 20mm

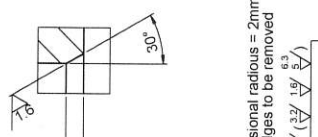
Letter's height: 10mm

Letter's height: 5mm

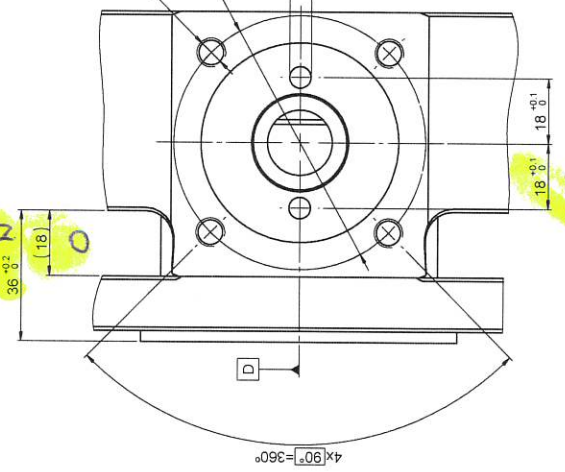
Isometric View



Detail F



Non-dimensional radius = 2mm
Sharp edges to be removed



Scale: 1:1		Surface: Without tolerances		Material: Your order		Weight: 9.54kg		Pos: 1	
DIN 7168 Rough		Date: 18/07/2023		Name: LD		Date: 18/07/2023		Name: J.S.	
Drawn: 18/07/2023		Date: 18/07/2023		Name: J.R.		Date: 18/07/2023		Name: J.R.	
Check: 18/07/2023		Date: 18/07/2023		Name: J.R.		Date: 18/07/2023		Name: J.R.	
Appro: 18/07/2023		Date: 18/07/2023		Name: J.R.		Date: 18/07/2023		Name: J.R.	

Rev.	0	First issue	01/2023	LD	J.S.	J.R.
Modification		Done		Chk.	App.	

JCV VALVES		JC Fabrica de Valvulas, S.A.U		Drawing n°: 0540B040C	
JC VALVES		JC Fabrica de Valvulas, S.A.U		Drawing n°: 0540B040C	
JC VALVES		JC Fabrica de Valvulas, S.A.U		Drawing n°: 0540B040C	

FIG. 540B DN-40 PN-40
BODY

Scale: 1:1
Weight: 9.54kg
Pos: 1

Material: Your order
Surface: Without tolerances
DIN 7168 Rough

Date: 18/07/2023
Name: LD
Date: 18/07/2023
Name: J.S.
Date: 18/07/2023
Name: J.R.

Rev. 0
First issue
01/2023
LD
J.S.
J.R.

Modification Done Chk. App.
JC Fabrica de Valvulas, S.A.U
Drawing n°: 0540B040C

Scale: 1:1
Weight: 9.54kg
Pos: 1

Material: Your order
Surface: Without tolerances
DIN 7168 Rough

Date: 18/07/2023
Name: LD
Date: 18/07/2023
Name: J.S.
Date: 18/07/2023
Name: J.R.

Rev. 0
First issue
01/2023
LD
J.S.
J.R.

Modification Done Chk. App.
JC Fabrica de Valvulas, S.A.U
Drawing n°: 0540B040C