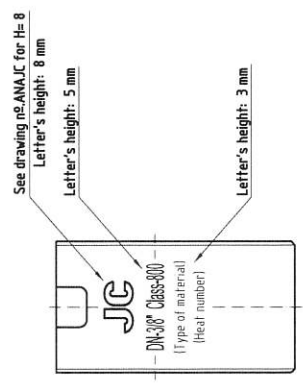
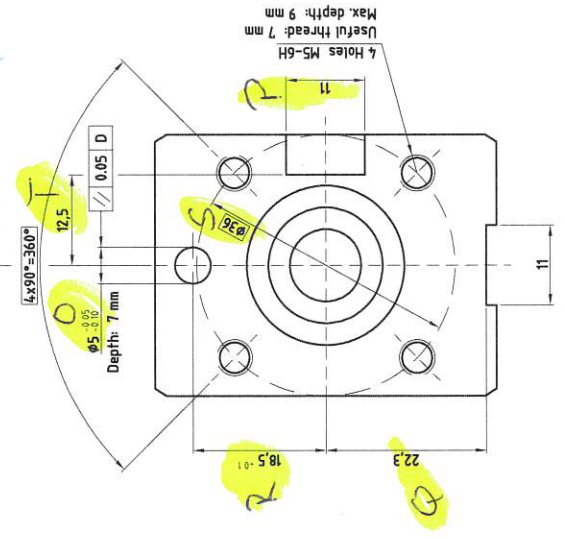
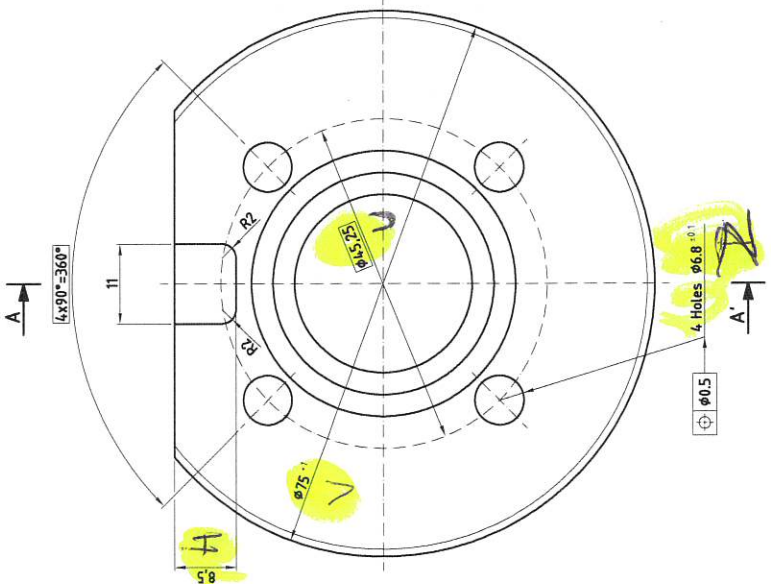
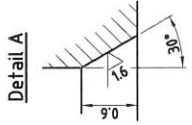
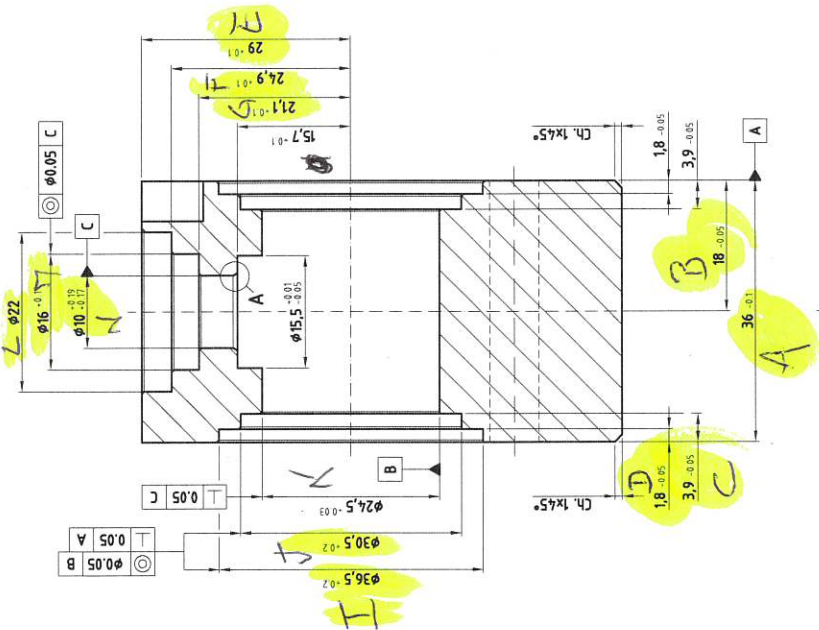


Section AA'



Sharp edges to be removed Ch. 0.3x45°  
 $3.2 / \sqrt{1.6}$

Scale: 2:1	Weight: 0.93 kg	Pos.: 1
Material: Your order		
Pattern n°:		
Material: BODY		
FIG.800B DN-3/8" Class-800		
Drawing n°:	800B010C	Sheet
Subs. by:		
Rev. / Modif. / Date / Norm.		
0 / / / /		

This drawing is our property. It is strictly forbidden to use the drawing, to give it to third parties or to reproduce it, totally or partially without our permission.