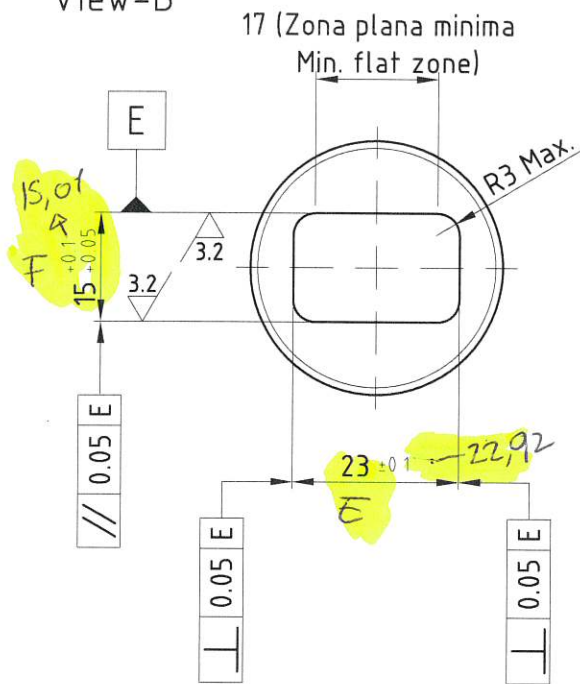


DIN 7168 Part 1: General tolerances in length & angular measures		Nominal measures	
precision degree	more than	3	6
g (rough)	until	±0.15	±0.5
9		±0.5	±1.2
4.00		±0.8	±2

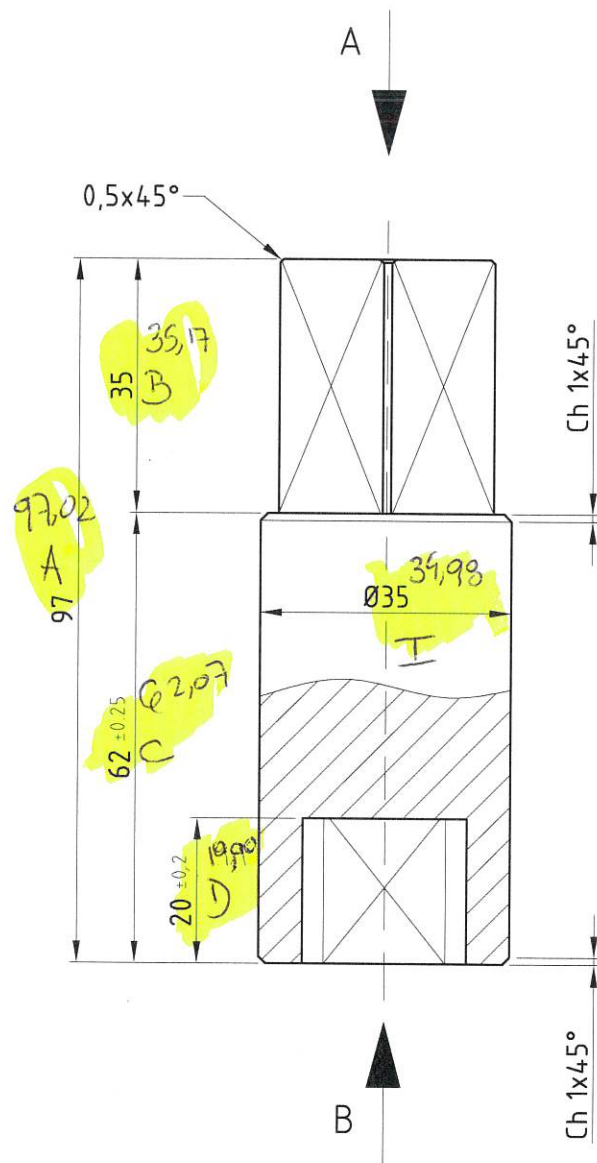
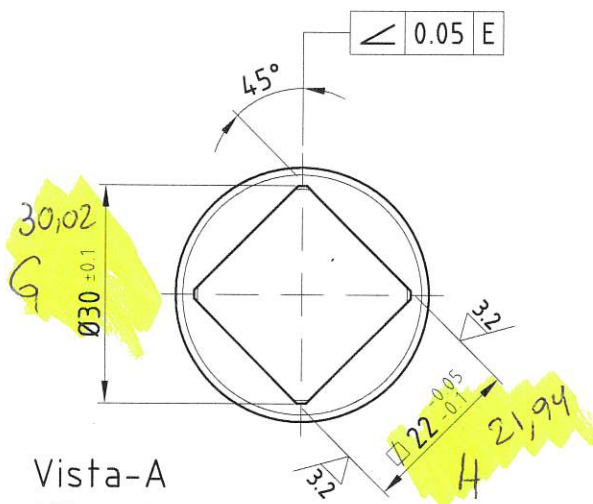
DIN 7168 Part 2: General tolerances of shape		Nominal measures	
precision degree	more than	6	120
S	smoothness	0.008	0.02
5		0.04	0.08
		0.15	

DIN 7168 Part 2: General tolerances of position		Nominal measures	
precision degree	more than	1	0.5
T	polish		

Vista-B
View-B



Vista-A
View-A



Matar aristas vivas
Sharp edges to be removed

6.3 / (3.2)

		Admis. dif. with sizes without tolerances DIN 7168 Rough	Surface	Scale: 1:1	Weight:	Pos.: 94
				Material: Your order Pattern n°:		
				<p align="center">COUPLING</p> <p align="center">E:15 C:22 H:97</p> <p align="center">HEIGHT: 97 mm</p>		
				<p align="center">Drawing n°: ACE15C22H97</p>		
0	First issue	29/06/23	DCM	LD	JR	<p align="center">Drawing n°: ACE15C22H97</p>
Rev.	Modification	Date	Done	Chk.	App.	
				<p align="center">JC VALVES</p> <p align="center">JC Fábrika de Válvulas, S.A.U.</p> <p align="center">08830 Sant Boi de Llobregat (Spain)</p> <p align="center">Tel. + (34) 936 54 86 94</p> <p align="center">e.mail: technical@jc-valves.com</p>		
				Subs.:		

This drawing is our property. It is strictly forbidden to use the drawing, to give it to third parties or to reproduce it totally or partially without our permission.