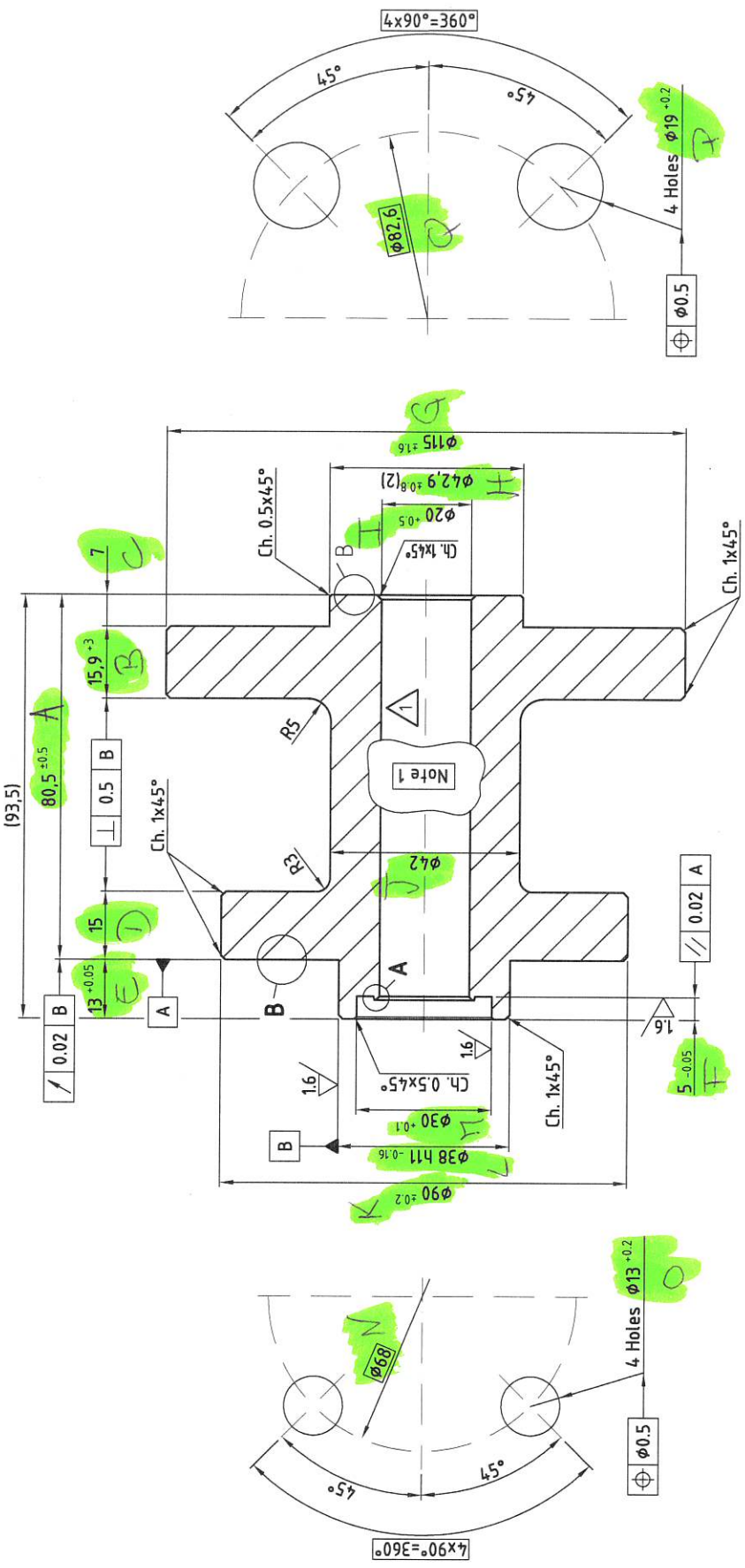


DIN 7168 Part 1 General tolerances in length & angular measures	
Normal measures	120 400 1000
precision degree	3 6 10 12 15 18 24
mm (inch)	0.5 1 1.5 2 3 4 6 8 12 18 24 30 40 60 80 120 180 240 300 400 600 800 1200 1800 2400 3000
precision degree	±0.15 ±0.2 ±0.3 ±0.5 ±0.8 ±1.2 ±1.8 ±2.5 ±3.6 ±5.0 ±7.5 ±11 ±15 ±22.5 ±36 ±54 ±81 ±120 ±180 ±270 ±400 ±600 ±900 ±1350 ±2025 ±3000 ±4500

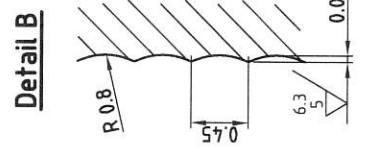
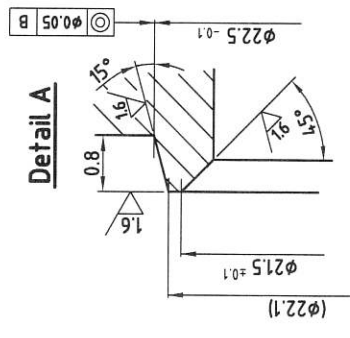
DIN 7168 Part 2 General tolerances of shape	
Normal measures	120 400 1000
precision degree	3 6 10 12 15 18 24
mm (inch)	0.5 1 1.5 2 3 4 6 8 12 18 24 30 40 60 80 120 180 240 300 400 600 800 1200 1800 2400 3000
precision degree	±0.08 ±0.12 ±0.18 ±0.25 ±0.36 ±0.54 ±0.81 ±1.2 ±1.8 ±2.7 ±4.0 ±6.0 ±9.0 ±13.5 ±20 ±30 ±45 ±67.5 ±100 ±150 ±225 ±337.5 ±500 ±750 ±1125 ±1687.5 ±2500 ±3750 ±5625

DIN 7168 Part 2 General tolerances of position	
Normal measures	120 400 1000
precision degree	3 6 10 12 15 18 24
mm (inch)	0.5 1 1.5 2 3 4 6 8 12 18 24 30 40 60 80 120 180 240 300 400 600 800 1200 1800 2400 3000
precision degree	±0.05 ±0.075 ±0.11 ±0.15 ±0.22 ±0.33 ±0.5 ±0.75 ±1.1 ±1.65 ±2.5 ±3.75 ±5.5 ±8.25 ±12.25 ±18.375 ±27.5 ±41.25 ±61.875 ±92.8125 ±139.2375 ±208.85625 ±313.284375 ±470.1265625 ±705.18984375 ±1057.784765625



(*) Tolerance: $\text{⊕} \phi 0.05$ B
 Note 1: Zone for stamp heat numbers and type of material
 Sharp edges to be removed

(2) When starting from RS version, machine only this area



Scale: 1:1		Weight: -- Kg		Pos.: 2	
Material: Your order		Pattern no.:		Sheet	
FIG.560B DN-3/4" Class-600		BODY CONNECTOR		Drawing n°: L560B20	
Subs. by: L560B20 Rev.1		Subs. by: L560B20 Rev.1		Subs. by: L560B20 Rev.1	
Fabrica de válvulas, s.a.		J.C. Valves		Drawing n°: L560B20	
00030 Saint Bon de Labeugat (Spain)		J.C. Valves		Drawing n°: L560B20	
Tel. + (34) 936 54 86 86 / Fax + (34) 936 54 86 87		J.C. Valves		Drawing n°: L560B20	
e-mail: technical@jc-valves.com		J.C. Valves		Drawing n°: L560B20	
Date: 23-10-95		Date: 23-10-95		Drawing n°: L560B20	
Drawn: J. RUBIO		Drawn: J. RUBIO		Drawing n°: L560B20	
Chec. 30-10-95		Chec. 30-10-95		Drawing n°: L560B20	
Norm. C. Gallardo		Norm. C. Gallardo		Drawing n°: L560B20	
Modif. Dimensions 10-12		Modif. Dimensions 10-12		Drawing n°: L560B20	
Add. marks 3-10		Add. marks 3-10		Drawing n°: L560B20	
First issue 10-95		First issue 10-95		Drawing n°: L560B20	
Rev. Modification		Rev. Modification		Drawing n°: L560B20	

This drawing is our property. It is strictly forbidden to use the drawing, to give it to third parties or to reproduce it totally or partially without our permission.